

# THE TITLE OF THE PAPER (TITLE EN)

MIRCEA POPA - Lecturer, PhD, Technical University of Civil Engineering, Faculty of Building Services,  
e-mail: (Author's name)

**Abstract:** Of about 100 words in a single paragraph, purpose, scope and conclusion of the paper. It will be written in regular (size 10), paragraph left-right, 1,2 cm (ABSTRACT)

**Keywords:** 5 representative words for paper, not included in the paper title (Keywords)

## 1. Introduction (Chapter)

The title "Introduction" will be numbered, written in small capitals (size 12) and bolded.

In the introduction of the article, the present state of the researchers in the specified domain will be mentioned (by quoting the corresponding bibliography) and the objectives of the paper will be declared.

The paper will be of 6 pages at least, the font used being TNR, size 11, the paragraphs being separated from one another with one line of size 6. (Normal text).

## 2. Paper content (the title of the first chapter) (Chapter)

The names of the chapters will be numbered if necessary, written in small capitals (size 12), bolded, centered left.

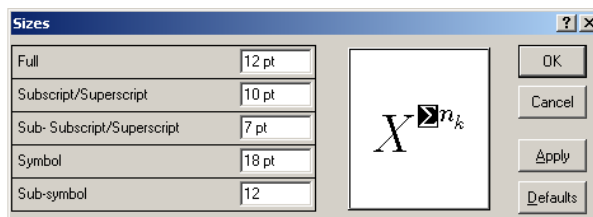
The presentation will be short and concise, and the symbols used will be defined in a symbol list (only if necessary). The International System of Measurement Units will be used. Descriptions of machineries and installations are not recommended.

### 2.1. Subchapter Subchapter (1.1)

#### 2.1.1. Subsubchapter Subsubchapter (1.2.1)

## 3. Paper content (the title of the second chapter) (Chapter)

Equations. Equations are to be numbered with an indented line at right and written with the help of the equations-editor : Settings – size : 12, 10, 7, 18, 12, style: italic variables, LG Greek italic.



$$\begin{aligned}
\underline{I}_A &= \sqrt{2} \sum_{k=1}^n e^{jk\omega t} \cdot e^{j0} \cdot \underline{I}_A^{(k)}(k); \\
\underline{I}_B &= \sqrt{2} \sum_{k=1}^n e^{jk\omega t} \cdot \left( e^{-j\frac{2\pi}{3}} \right)^k \underline{I}_B^{(k)}(k); \\
\underline{I}_C &= \sqrt{2} \sum_{k=1}^n e^{jk\omega t} \cdot \left( e^{+j\frac{2\pi}{3}} \right)^k \underline{I}_C^{(k)}(k).
\end{aligned}
\tag{Equations} \tag{1}$$

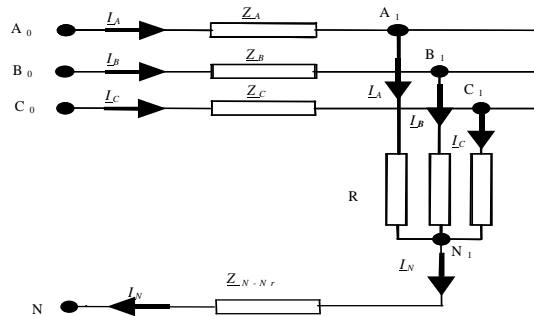
**Tables.** Tables are to be written in size 10. The title of the table is to be centered, bolded and its numerotation written in italics (size 10), centered right.

*Table 1* (NUMBER OF THE TABLE)

**Melting points and basic analysis (TABLE TITLE)**

Compounds	Mp(°C)	Chemical formula	N (%)	
			Calculated	Resulted
3A	178	C <sub>29</sub> H <sub>34</sub> N <sub>2</sub> O	6,57	3A
3B	264	C <sub>29</sub> H <sub>33</sub> N <sub>3</sub> O <sub>3</sub>	8,92	3B
3C	232	C <sub>29</sub> H <sub>32</sub> N <sub>4</sub> O <sub>5</sub>	10,85	3C
5A	185	C <sub>29</sub> H <sub>34</sub> N <sub>2</sub> O	6,56	5A
5B	242	C <sub>29</sub> H <sub>33</sub> N <sub>3</sub> O <sub>3</sub>	8,92	5B
5C	245	C <sub>29</sub> H <sub>32</sub> N <sub>4</sub> O <sub>5</sub>	10,85	5C

**Figures.** Figures are to be placed centered, if they are big and complex enough. If not, they can be put on two columns or wrapped in the text, towards the exterior of the page (right for an even page and left for an uneven page). The legend is to be centered under the figure, in size 10.



**Fig. 1** - The legend is centered (size 10) (FIGURE)

## N. Conclusions (Chapter)

The paper will end with a conclusion paragraph in which the results obtained by the author until present times will be mentioned, along with the possibilities of continuity and application of them in the article.

## References (Chapter)

The references will be written in the order of the quotations that appear in the text and will also be numbered. The indications in the text will be made by square brackets, for example [1] or [1,3] or [1-3]. (see the file:References.pdf)